

Specification

Lithium Polymer Battery Pack LP4360113 2S1P 3400mAh 7.4V with Protection Circuit Module (PCM)
 This data sheet describes the requirements and properties of lithium polymer rechargeable battery pack manufactured by LiPo Battery Co., Ltd - China

Mechanical Characteristics

- Cell ▶ LP4360113
- PCM ▶ Yes
- NTC ▶ No
- Configuration ▶ 2S1P
- Weight ▶ appr. 140g

Electrical Specification

- Rated Capacity ▶ 3400mAh min, 3410mAh typ.
- Nominal Voltage ▶ 7.4V
- Wat-Hour Rating ▶ 25.16Wh
- Max. Operating Voltage Range ▶ 6.00V to 8.40V
- Max. Charge Voltage ▶ 8.4V ±50mV
- Max. Charge Current ▶ 1700mA
- Max. Discharge Current ▶ 1700mA(support 3000mA discharge current)
- Discharge Cut Off ▶ 6.00V
- Internal Impedance ▶ <120mΩ
- Expected Cycle Life ▶ 500 cycles ≥ 80%
 @ (0.5C/0.5C) @ 23±5°C

Cell Protection

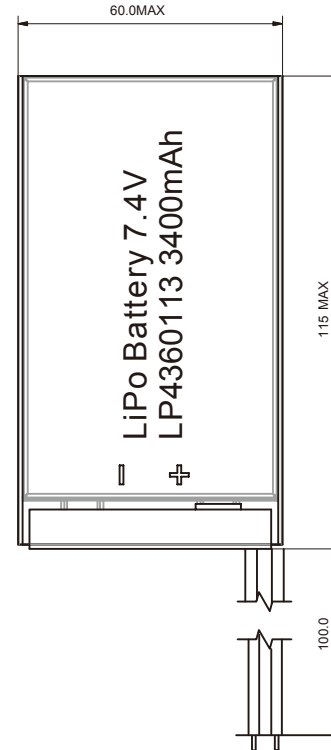
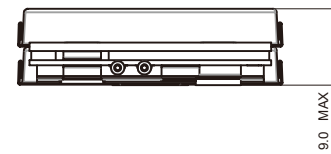
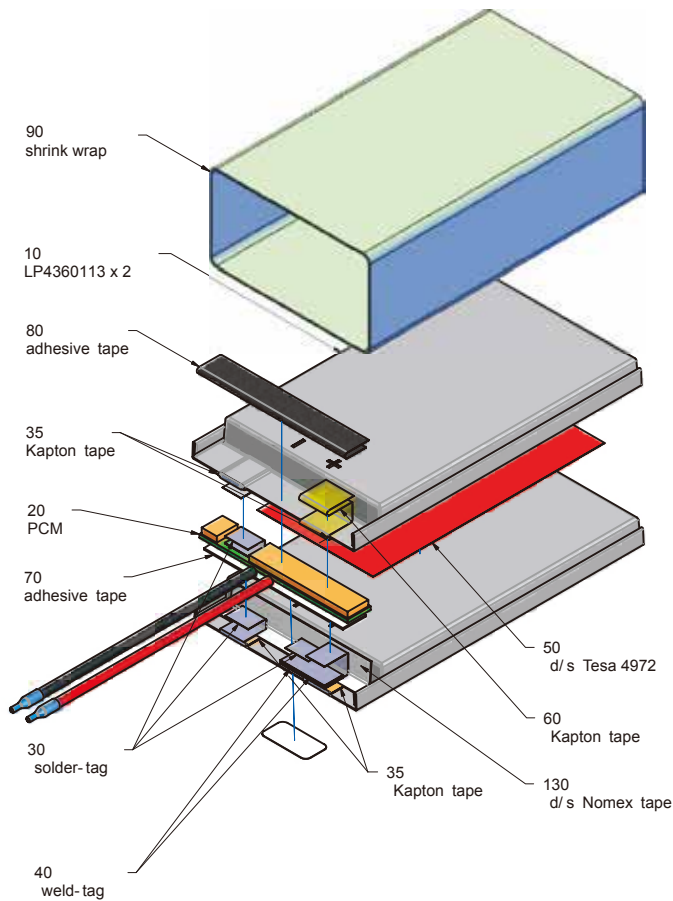
- Overcharge Detection ▶ 8.475 ±50mV (0.7 to 1.3sec. delay, release 8.535V ±50mV)
- Overdischarge Detection ▶ 6.00V ±50mV (14 to 26msec. delay, resume 5.80V ±50mV)
- Overcurrent Detection ▶ 4A to 4.5A (8 to 16msec. delay)

Ambient Conditions

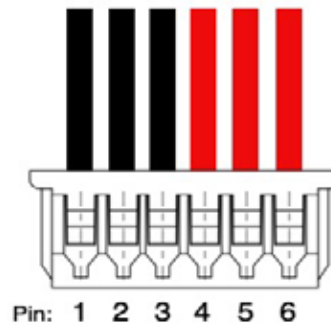
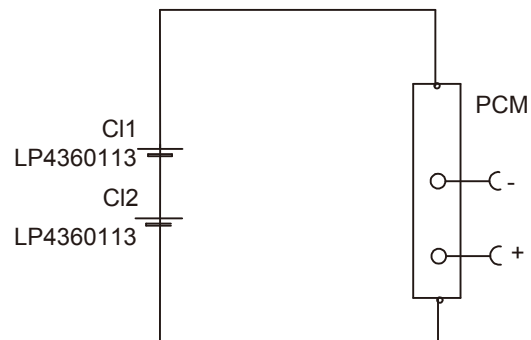
- Charge Temp. Range ▶ 0 to +45°C
- Discharge Temp. Range ▶ -20 to +60°C
- Storage Temp. Range ▶ 1 year at -20 to +30°C >70%
▶ 3 moths at -20 to +45°C >70%
▶ 1 month at -20 to +60°C >70%
- Humidity ▶ 65 ±20%RH
- Period of warranty ▶ 1 year after sales(Refund or reissue batteries)
- Range of warranty ▶ There is low voltage, expansion or leakage with the correct use of cell in the period of warranty

Environmental and Safety

Please follow LiPo Handling and Safety Precautions for Lithium Polymer Battery. This battery meets the requirements of Battery Directives, and the battery parts are IEC 62133 & RoHS-Compliant. For more safety precautions and performance standards, please go to www.lipobattery.com/support.html



Circuit diagram



Projection:		Diese Mae werden besonders geprüft This dimensions are considered inspectable		Material
Mae in mm All dimensions in mm	Freimatoleranzen Generaltolerances	Date	Name	
Als Betriebsgeheimnis anvertraut, alle Rechte vorbehalten.	up to 6 : 0,1 over 6 up to 30 : 0,2	Erst./ Orig. 19.02.2021	Xie Qingfang	
Proprietary data, company confidential, all rights reserved.	over 30 up to 100 : 0,3 over 100 : 0,5	Bearb./ Desig. 19.02.2021	Guo Daxia	
		Benennung/ Designation LP4360113 2S		Zchg. / Dwg. Nr. 1 FD_4871_20
		Origin:		Index
		www.LiPoBattery.com		support@lipobattery.com